

BV20 - BANK NOTE VALIDATOR

Since developing the world's first low cost, multi-currency bank note validator (Smiley NV1), Innovative Technology Ltd (ITL) has rapidly grown to become a major supplier to manufacturers worldwide.

Our track record in research, development and cutting edge innovation is substantiated by our unique SPF™ core technology that ensures an industry-leading acceptance rate for multi-currency of typically 99.8%.

Recommended Applications

- Amusement machines e.g. kiddie rides, video games, pool tables etc
- Low value vending machines e.g. hot/cold drinks, medical items, newspapers, shoe shining etc.

Options

- Two models: 66mm or 72mm width – depending on currency
- Low power mode: Standby time = 3 months
- 110V
- Dataset availability: full listings on our website



Features

- Quick transactions with high acceptance rate of typically 99.8% using SPF™ technology
- Seamless note path = no jams
- Simple, reliable, easy to use product
- Designed for easy installation and simple maintenance
- Exceptional value

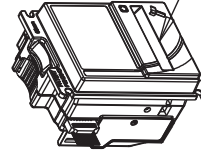
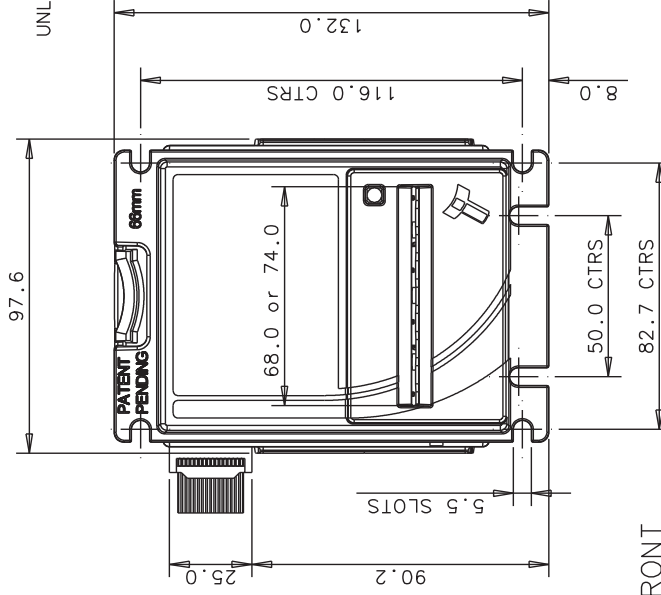
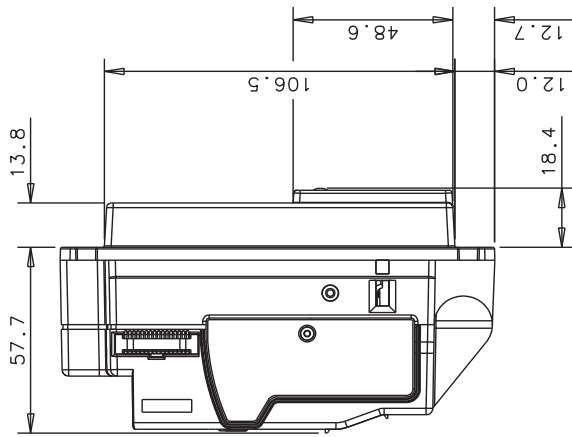
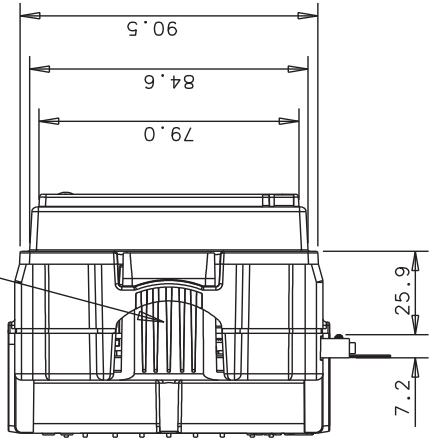
Technical Data

- Accepts notes in just 2 seconds
- Weight: 0.3kg
- Compact dimensions: 98x58x132mm
- Power Supply: 12VDC +/- 10%
- Supporting all standard protocols
- Simple and advanced programming tools via configuration card, PC or handheld unit
- Optical anti-strim beam
- Standard bezel design

DRG No:

GA793

VALIDATOR SERVICE ACCESS CLIP



3-RIGHT

4-FRONT

ACCEPTS NOTES UP TO:

- 1. 66mm x 160mm LONG
- 2. 72mm x 160mm LONG

SUPPLY AND POWER CONSUMPTION:

VOLTAGE : 12.0V±10%
 RIPPLE : 0.25V AT 100Hz
 SLEEP : 1.2mA
 STANDBY : 150mA
 VALIDATING : 540mA
 PEAK : 1700mA

ENVIRONMENTAL OPERATING RANGE:

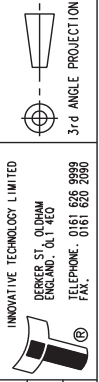
+3°C TO 50°C AT 5% TO 95% RH
 (NON CONDENSING)

UNLADEN WEIGHT : 0.3KG

REFERENCE ONLY
 DESTROY AFTER USE
 ALWAYS REFER TO LATEST ISSUE

DO NOT SCALE

IF IN DOUBT - ASK !!!



TOLERANCES TO BS7010
 (1988) GROUP
 UNLESS OTHERWISE
 STATED, ANGULAR
 TOLERANCE ±0.5°

DRAWN T. BEARD

CHECKED

DATE

06.07.07

SCALE

1:2

MATERIAL

FINISH

TOOL No.

1 PROD REL.	1074	21/01/08	PC
ISSUE No.	MOD No.	DATE	MOD BY
C.A.D. GENERATED - MOD'S TO BE DONE VIA MAGNETIC MEDIA			

TITLE: BV20 OUTLINE DIMENSIONS

DRG No. GA793

ISSUE 1

COPYRIGHT CONTAINED IN THIS DRAWING IS THE PROPERTY OF INNOVATIVE TECHNOLOGY LTD ©